

# **MM54C373,MM54C374,MM74C373,MM74C374**

*MM54C373 MM74C373 TRI-STATE(RM) Octal D-Type Latch MM54C374 MM74C374  
TRI-STATE Octal D-Type Flip-Flop*



Literature Number: SNOS333A

# MM54C373/MM74C373 TRI-STATE® Octal D-Type Latch MM54C374/MM74C374 TRI-STATE Octal D-Type Flip-Flop

## General Description

The MM54C373/MM74C373, MM54C374/MM74C374 are integrated, complementary MOS (CMOS), 8-bit storage elements with TRI-STATE outputs. These outputs have been specially designed to drive high capacitive loads, such as one might find when driving a bus, and to have a fan out of 1 when driving standard TTL. When a high logic level is applied to the OUTPUT DISABLE input, all outputs go to a high impedance state, regardless of what signals are present at the other inputs and the state of the storage elements.

The MM54C373/MM74C373 is an 8-bit latch. When  $\overline{\text{LATCH ENABLE}}$  is high, the Q outputs will follow the D inputs. When  $\overline{\text{LATCH ENABLE}}$  goes low, data at the D inputs, which meets the set-up and hold time requirements, will be retained at the outputs until  $\overline{\text{LATCH ENABLE}}$  returns high again.

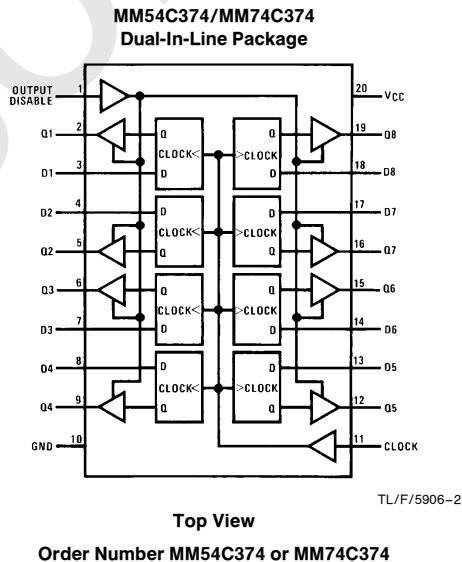
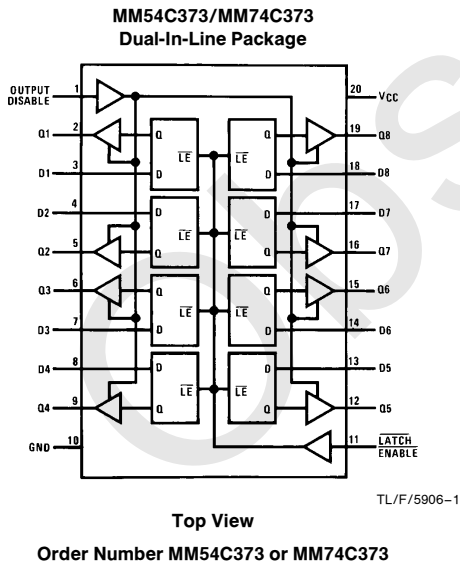
The MM54C374/MM74C374 is an 8-bit, D-type, positive-edge triggered flip-flop. Data at the D inputs, meeting the set-up and hold time requirements, is transferred to the Q outputs on positive-going transitions of the CLOCK input.

Both the MM54C373/MM74C373 and the MM54C374/MM74C374 are being assembled in 20-pin dual-in-line packages with 0.300" pin centers.

## Features

- Wide supply voltage range 3V to 15V
- High noise immunity 0.45 V<sub>CC</sub> (typ.)
- Low power consumption
- TTL compatibility Fan out of 1 driving standard TTL
- Bus driving capability
- TRI-STATE outputs
- Eight storage elements in one package
- Single CLOCK/ $\overline{\text{LATCH ENABLE}}$  and OUTPUT DISABLE control inputs
- 20-pin dual-in-line package with 0.300" centers takes half the board space of a 24-pin package

## Connection Diagrams



TRI-STATE® is a registered trademark of National Semiconductor Corporation.

## Absolute Maximum Ratings (Note 1)

If Military/Aerospace specified devices are required, please contact the National Semiconductor Sales Office/Distributors for availability and specifications.

Voltage at Any Pin	-0.3V to $V_{CC} + 0.3V$
Operating Temperature Range ( $T_A$ )	
MM54C373	-55°C to +125°C
MM74C373	-40°C to +85°C
Storage Temperature Range ( $T_S$ )	-65°C to +150°C

Power Dissipation	
Dual-In-Line	700 mW
Small Outline	500 mW
Operating $V_{CC}$ Range	3V to 15V
Absolute Maximum $V_{CC}$	18V
Lead Temperature ( $T_L$ )	
(Soldering, 10 seconds)	260°C

## DC Electrical Characteristics Min/Max limits apply across temperature range unless otherwise noted

Symbol	Parameter	Conditions	Min	Typ	Max	Units
<b>CMOS TO CMOS</b>						
$V_{IN(1)}$	Logical "1" Input Voltage	$V_{CC} = 5V$ $V_{CC} = 10V$	3.5 8.0			V V
$V_{IN(0)}$	Logical "0" Input Voltage	$V_{CC} = 5V$ $V_{CC} = 10V$			1.5 2.0	V V
$V_{OUT(1)}$	Logical "1" Output Voltage	$V_{CC} = 5V, I_O = -10 \mu A$ $V_{CC} = 10V, I_O = -10 \mu A$	4.5 9.0			V V
$V_{OUT(0)}$	Logical "0" Output Voltage	$V_{CC} = 5V, I_O = 10 \mu A$ $V_{CC} = 10V, I_O = 10 \mu A$			0.5 1.0	V V
$I_{IN(1)}$	Logical "1" Input Current	$V_{CC} = 15V, V_{IN} = 15V$		0.005	1.0	$\mu A$
$I_{IN(0)}$	Logical "0" Input Current	$V_{CC} = 15V, V_{IN} = 0V$	-1.0	-0.005		$\mu A$
$I_{OZ}$	TRI-STATE Leakage Current	$V_{CC} = 15V, V_O = 15V$ $V_{CC} = 15V, V_O = 0V$	-1.0	0.005 -0.005	1.0	$\mu A$ $\mu A$
$I_{CC}$	Supply Current	$V_{CC} = 15V$		0.05	300	$\mu A$
<b>CMOS/LPTTL INTERFACE</b>						
$V_{IN(1)}$	Logical "1" Input Voltage	54C $V_{CC} = 4.5V$ 74C $V_{CC} = 4.75V$		$V_{CC} - 1.5$ $V_{CC} - 1.5$		V V
$V_{IN(0)}$	Logical "0" Input Voltage	54C $V_{CC} = 4.5V$ 54C $V_{CC} = 4.75V$			0.8 0.8	V V
$V_{OUT(1)}$	Logical "1" Output Voltage	54C $V_{CC} = 4.5V, I_O = -360 \mu A$ 74C $V_{CC} = 4.75V, I_O = -360 \mu A$		$V_{CC} - 0.4$ $V_{CC} - 0.4$		V V
		54C $V_{CC} = 4.5V, I_O = -1.6 mA$ 74C $V_{CC} = 4.75V, I_O = -1.6 mA$	2.4 2.4			V V
$V_{OUT(0)}$	Logical "0" Output Voltage	54C $V_{CC} = 4.5V, I_O = 1.6 mA$ 74C $V_{CC} = 4.75V, I_O = 1.6 mA$			0.4 0.4	V V
<b>OUTPUT DRIVE (Short Circuit Current)</b>						
$I_{SOURCE}$	Output Source Current	$V_{CC} = 5V, V_{OUT} = 0V$ $T_A = 25^\circ C$ (Note 4)	-12	-24		mA
$I_{SOURCE}$	Output Source Current	$V_{CC} = 10V, V_{OUT} = 0V$ $T_A = 25^\circ C$ (Note 4)	-24	-48		mA
$I_{SINK}$	Output Sink Current (N-Channel)	$V_{CC} = 5V, V_{OUT} = V_{CC}$ $T_A = 25^\circ C$ (Note 4)	6	12		mA
$I_{SINK}$	Output Sink Current (N-Channel)	$V_{CC} = 10V, V_{OUT} = V_{CC}$ $T_A = 25^\circ C$ (Note 4)	24	48		mA
<p><b>Note 1:</b> "Absolute Maximum Ratings" are those values beyond which the safety of the device cannot be guaranteed. Except for "Operating Temperature Range" they are not meant to imply that the devices should be operated at these limits. The table of "Electrical Characteristics" provides conditions for actual device operation.</p>						

## AC Electrical Characteristics\*

MM54C373/MM74C373,  $T_A = 25^\circ\text{C}$ ,  $C_L = 50\text{ pF}$ ,  $t_r = t_f = 20\text{ ns}$ , unless otherwise noted

Symbol	Parameter	Conditions	Min	Typ	Max	Units
$t_{pd0}, t_{pd1}$	Propagation Delay, $\overline{\text{LATCH ENABLE}}$ to Output	$V_{CC} = 5\text{V}, C_L = 50\text{ pF}$ $V_{CC} = 10\text{V}, C_L = 50\text{ pF}$ $V_{CC} = 5\text{V}, C_L = 150\text{ pF}$ $V_{CC} = 10\text{V}, C_L = 150\text{ pF}$		165 70 195 85	330 140 390 170	ns ns ns ns
$t_{pd0}, t_{pd1}$	Propagation Delay Data In to Output	$\overline{\text{LATCH ENABLE}} = V_{CC}$ $V_{CC} = 5\text{V}, C_L = 50\text{ pF}$ $V_{CC} = 10\text{V}, C_L = 50\text{ pF}$ $V_{CC} = 5\text{V}, C_L = 150\text{ pF}$ $V_{CC} = 10\text{V}, C_L = 150\text{ pF}$		155 70 185 85	310 140 370 170	ns ns ns ns
$t_{\text{SET-UP}}$	Minimum Set-Up Time Data In to $\text{CLOCK}/\overline{\text{LATCH ENABLE}}$	$t_{\text{HOLD}} = 0\text{ ns}$ $V_{CC} = 5\text{V}$ $V_{CC} = 10\text{V}$		70 35	140 70	ns ns
$f_{\text{MAX}}$	Maximum $\overline{\text{LATCH ENABLE}}$ Frequency	$V_{CC} = 5\text{V}$ $V_{CC} = 10\text{V}$	3.5 4.5	6.7 9.0		MHz MHz
$t_{\text{PWH}}$	Minimum $\overline{\text{LATCH ENABLE}}$ Pulse Width	$V_{CC} = 5\text{V}$ $V_{CC} = 10\text{V}$		75 55	150 110	ns ns
$t_r, t_f$	Maximum $\overline{\text{LATCH ENABLE}}$ Rise and Fall Time	$V_{CC} = 5\text{V}$ $V_{CC} = 10\text{V}$		NA NA		$\mu\text{s}$ $\mu\text{s}$
$t_{1H}, t_{0H}$	Propagation Delay OUTPUT DISABLE to High Impedance State (from a Logic Level)	$R_L = 10\text{k}, C_L = 5\text{ pF}$ $V_{CC} = 5\text{V}$ $V_{CC} = 10\text{V}$		105 60	210 120	ns ns
$t_{H1}, t_{H0}$	Propagation Delay OUTPUT DISABLE to Logic Level (from High Impedance State)	$R_L = 10\text{k}, C_L = 50\text{ pF}$ $V_{CC} = 5\text{V}$ $V_{CC} = 10\text{V}$		105 45	210 90	ns ns
$t_{\text{THL}}, t_{\text{TLH}}$	Transition Time	$V_{CC} = 5\text{V}, C_L = 50\text{ pF}$ $V_{CC} = 10\text{V}, C_L = 50\text{ pF}$ $V_{CC} = 5\text{V}, C_L = 150\text{ pF}$ $V_{CC} = 10\text{V}, C_L = 150\text{ pF}$		65 35 110 70	130 70 220 140	ns ns ns ns
$C_{LE}$	Input Capacitance	$\overline{\text{LE}}$ Input (Note 2)		7.5	10	pF
$C_{OD}$	Input Capacitance	OUTPUT DISABLE Input (Note 2)		7.5	10	pF
$C_{IN}$	Input Capacitance	Any Other Input (Note 2)		5	7.5	pF
$C_{OUT}$	Output Capacitance	High Impedance State (Note 2)		10	15	pF
$C_{PD}$	Power Dissipation Capacitance	Per Package (Note 3)		200		pF

\*AC Parameters are guaranteed by DC correlated testing.

## AC Electrical Characteristics\* (Continued)

MM54C374/MM74C374,  $T_A = 25^\circ\text{C}$ ,  $C_L = 50\text{ pF}$ ,  $t_r = t_f = 20\text{ ns}$ , unless otherwise noted

Symbol	Parameter	Conditions	Min	Typ	Max	Units
$t_{pd0}, t_{pd1}$	Propagation Delay, CLOCK to Output	$V_{CC} = 5\text{V}, C_L = 50\text{ pF}$ $V_{CC} = 10\text{V}, C_L = 50\text{ pF}$ $V_{CC} = 5\text{V}, C_L = 150\text{ pF}$ $V_{CC} = 10\text{V}, C_L = 150\text{ pF}$		150 65 180 80	300 130 360 160	ns ns ns ns
$t_{SET-UP}$	Minimum Set-Up Time Data In to CLOCK/LATCH ENABLE	$t_{HOLD} = 0\text{ ns}$ $V_{CC} = 5\text{V}$ $V_{CC} = 10\text{V}$		70 35	140 70	ns ns
$t_{PWH}, t_{PWL}$	Minimum CLOCK Pulse Width	$V_{CC} = 5\text{V}$ $V_{CC} = 10\text{V}$		70 50	140 100	ns ns
$f_{MAX}$	Maximum CLOCK Frequency	$V_{CC} = 5\text{V}$ $V_{CC} = 10\text{V}$	3.5 5	7.0 10		MHz MHz
$t_{1H}, t_{0H}$	Propagation Delay OUTPUT DISABLE to High Impedance State (from a Logic Level)	$R_L = 10\text{k}, C_L = 50\text{ pF}$ $V_{CC} = 5\text{V}$ $V_{CC} = 10\text{V}$		105 60	210 120	ns ns
$t_{H1}, t_{H0}$	Propagation Delay OUTPUT DISABLE to Logic Level (from High Impedance State)	$R_L = 10\text{k}, C_L = 50\text{ pF}$ $V_{CC} = 5\text{V}$ $V_{CC} = 10\text{V}$		105 45	210 90	ns ns
$t_{THL}, t_{TLH}$	Transition Time	$V_{CC} = 5\text{V}, C_L = 50\text{ pF}$ $V_{CC} = 10\text{V}, C_L = 50\text{ pF}$ $V_{CC} = 5\text{V}, C_L = 150\text{ pF}$ $V_{CC} = 10\text{V}, C_L = 150\text{ pF}$		65 35 110 70	130 70 220 140	ns ns ns ns
$t_r, t_f$	Maximum CLOCK Rise and Fall Time	$V_{CC} = 5\text{V}$ $V_{CC} = 10\text{V}$	15 5	>2000 >2000		$\mu\text{s}$ $\mu\text{s}$
$C_{CLK}$	Input Capacitance	CLOCK Input (Note 2)		7.5	10	pF
$C_{OD}$	Input Capacitance	OUTPUT DISABLE Input (Note 2)		7.5	10	pF
$C_{IN}$	Input Capacitance	Any Other Input (Note 2)		5	7.5	pF
$C_{OUT}$	Output Capacitance	High Impedance State (Note 2)		10	15	pF
$C_{PD}$	Power Dissipation Capacitance	Per Package (Note 3)		250		pF

\*AC Parameters are guaranteed by DC correlated testing.

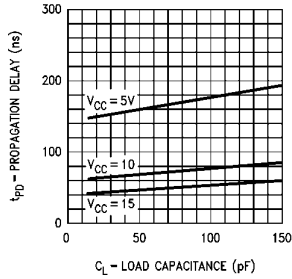
**Note 2:** Capacitance is guaranteed by periodic testing.

**Note 3:**  $C_{PD}$  determines the no load AC power consumption of any CMOS device. For complete explanation see 54C/74C Family Characteristics Application Note AN-90.

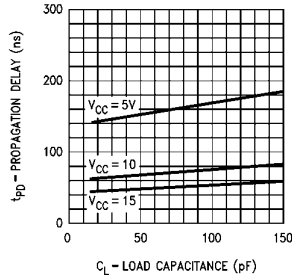
**Note 4:** These are peak output current capabilities. Continuous output current is rated at 12 mA max.

## Typical Performance Characteristics $T_A = 25^\circ\text{C}$

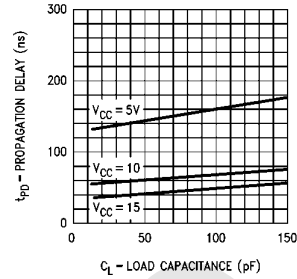
**MM54C373/MM74C373**  
Propagation Delay, **LATCH**  
**ENABLE** to Output vs Load  
Capacitance



**MM54C373/MM74C373**  
Propagation Delay,  
Data In to Output  
vs Load Capacitance

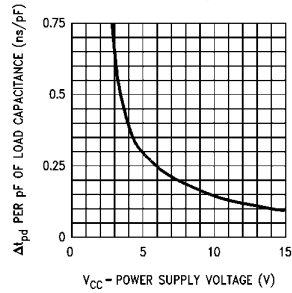


**MM54C374/MM74C374**  
Propagation Delay,  
**CLOCK** to Output  
vs Load Capacitance

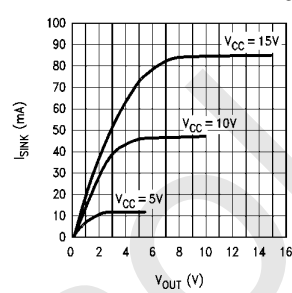


TL/F/5906-3

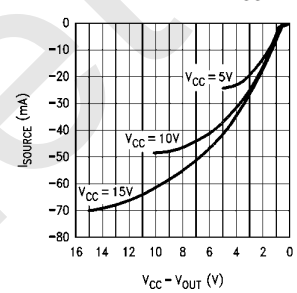
**MM54C373/MM74C373,**  
**MM54C374/MM74C374**  
Change in Propagation Delay per  
pF of Load Capacitance ( $\Delta t_{pd}/\text{pF}$ )  
vs Power Supply Voltage



**MM54C373/MM74C373,**  
**MM54C374/MM74C374**  
Output Sink Current vs  $V_{OUT}$



**MM54C373/MM74C373,**  
**MM54C374/MM74C374** Output  
Source Current vs  $V_{CC} - V_{OUT}$



TL/F/5906-4

## Truth Table

**MM54C373/MM74C373**

Output Disable	LATCH ENABLE	D	Q
L	H	H	H
L	H	L	L
L	L	X	Q
H	X	X	Hi-Z

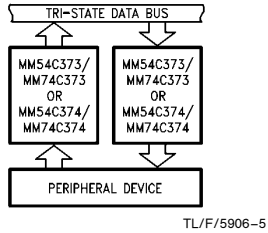
**MM54C374/MM74C374**

Output Disable	Clock	D	Q
L		H	H
L		L	L
L	L	X	Q
L	H	X	Q
H	X	X	Hi-Z

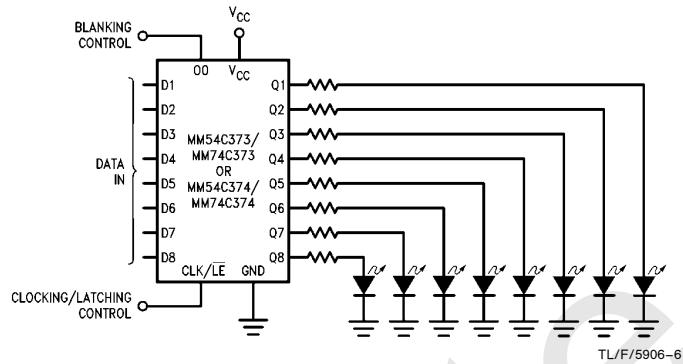
L = Low logic level  
H = High logic level  
X = Irrelevant  
 = Low to high logic level transition  
Q = Preexisting output level  
Hi-Z = High impedance output state

## Typical Applications

### Data Bus Interfacing Element

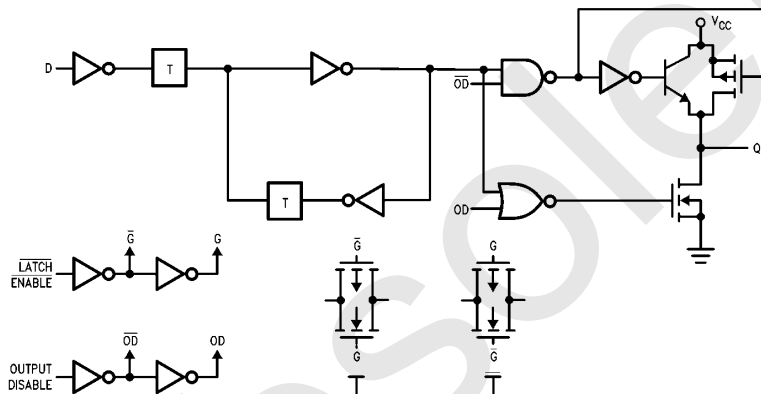


### Simple, Latching, Octal, LED Indicator Driver with Blanking for Use as Data Display, Bus Monitor, $\mu$ P Front Panel Display, Etc.

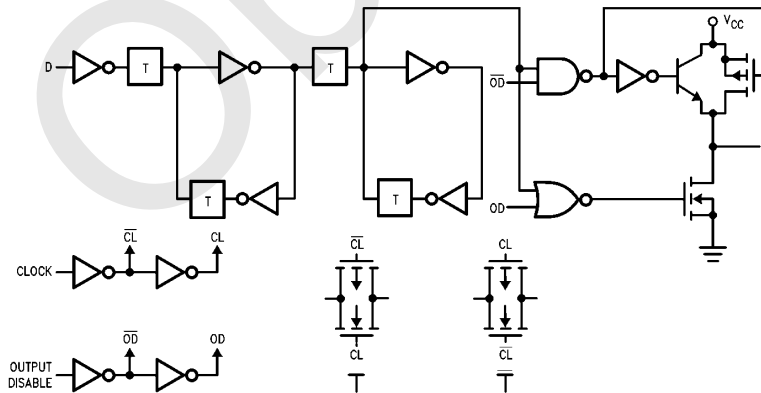


## Logic Diagrams

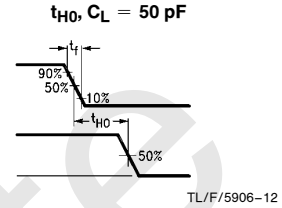
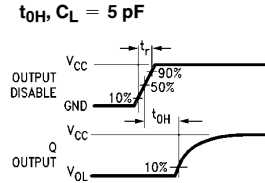
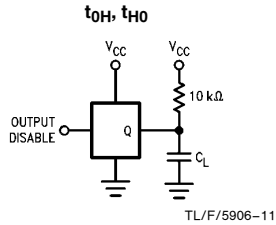
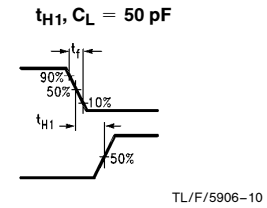
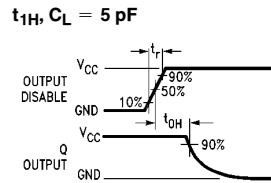
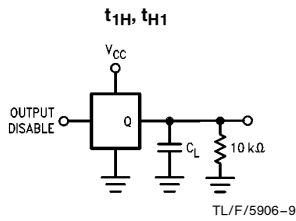
### MM54C373/MM74C373 (1 of 8 Latches)



### MM54C374/MM74C374 (1 of 8 Flip-Flops)

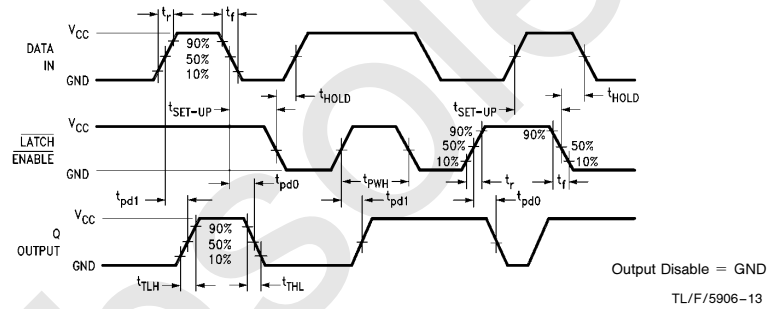


## TRI-STATE Test Circuits and Switching Time Waveforms

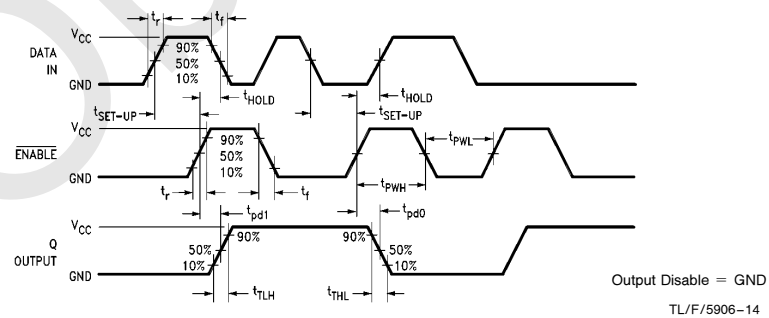


## Switching Time Waveforms

### MM54C373/MM74C373



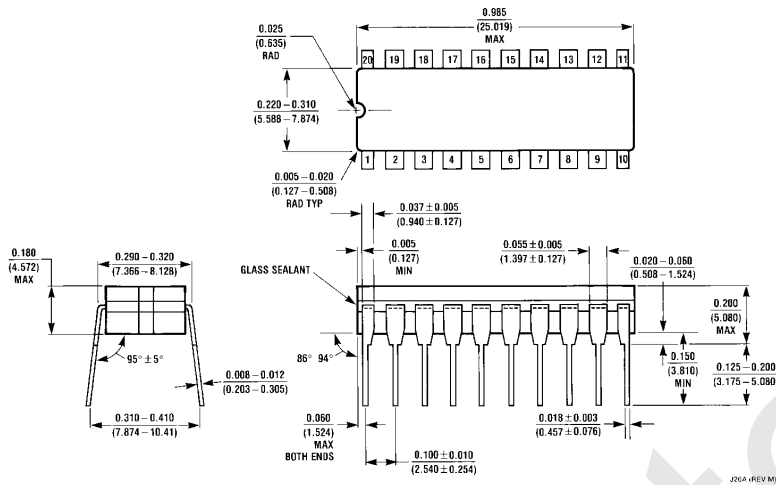
### MM54C374/MM74C374



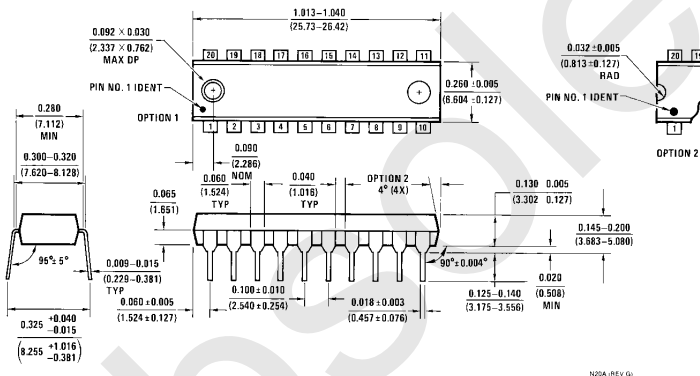


**MM54C373/MM74C373 TRI-STATE Octal D-Type Latch**  
**MM54C374/MM74C374 TRI-STATE Octal D-Type Flip-Flop**

**Physical Dimensions** inches (millimeters)



**Ceramic Dual-In-Line Package (J)**  
**Order Number MM54C373J, MM54C374J, MM74C373J or MM74C374J**  
**NS Package Number J20A**



**Molded Dual-In-Line Package (N)**  
**Order Number MM54C373N, MM54C374N, MM74C373N or MM74C374N**  
**NS Package Number N20A**

**LIFE SUPPORT POLICY**

NATIONAL'S PRODUCTS ARE NOT AUTHORIZED FOR USE AS CRITICAL COMPONENTS IN LIFE SUPPORT DEVICES OR SYSTEMS WITHOUT THE EXPRESS WRITTEN APPROVAL OF THE PRESIDENT OF NATIONAL SEMICONDUCTOR CORPORATION. As used herein:

1. Life support devices or systems are devices or systems which, (a) are intended for surgical implant into the body, or (b) support or sustain life, and whose failure to perform, when properly used in accordance with instructions for use provided in the labeling, can be reasonably expected to result in a significant injury to the user.
2. A critical component is any component of a life support device or system whose failure to perform can be reasonably expected to cause the failure of the life support device or system, or to affect its safety or effectiveness.



**National Semiconductor Corporation**  
 1111 West Bardin Road  
 Arlington, TX 76017  
 Tel: (800) 272-9959  
 Fax: (800) 737-7018

**National Semiconductor Europe**  
 Fax: (+49) 0-180-530 85 86  
 Email: cnjwge@tevm2.nsc.com  
 Deutsch Tel: (+49) 0-180-530 85 85  
 English Tel: (+49) 0-180-532 78 32  
 Français Tel: (+49) 0-180-532 93 58  
 Italiano Tel: (+49) 0-180-534 16 80

**National Semiconductor Hong Kong Ltd.**  
 19th Floor, Straight Block,  
 Ocean Centre, 5 Canton Rd.  
 Tsimshatsui, Kowloon  
 Hong Kong  
 Tel: (852) 2737-1600  
 Fax: (852) 2736-9960

**National Semiconductor Japan Ltd.**  
 Tel: 81-043-299-2309  
 Fax: 81-043-299-2408

National does not assume any responsibility for use of any circuitry described, no circuit patent licenses are implied and National reserves the right at any time without notice to change said circuitry and specifications.

## IMPORTANT NOTICE

Texas Instruments Incorporated and its subsidiaries (TI) reserve the right to make corrections, modifications, enhancements, improvements, and other changes to its products and services at any time and to discontinue any product or service without notice. Customers should obtain the latest relevant information before placing orders and should verify that such information is current and complete. All products are sold subject to TI's terms and conditions of sale supplied at the time of order acknowledgment.

TI warrants performance of its hardware products to the specifications applicable at the time of sale in accordance with TI's standard warranty. Testing and other quality control techniques are used to the extent TI deems necessary to support this warranty. Except where mandated by government requirements, testing of all parameters of each product is not necessarily performed.

TI assumes no liability for applications assistance or customer product design. Customers are responsible for their products and applications using TI components. To minimize the risks associated with customer products and applications, customers should provide adequate design and operating safeguards.

TI does not warrant or represent that any license, either express or implied, is granted under any TI patent right, copyright, mask work right, or other TI intellectual property right relating to any combination, machine, or process in which TI products or services are used. Information published by TI regarding third-party products or services does not constitute a license from TI to use such products or services or a warranty or endorsement thereof. Use of such information may require a license from a third party under the patents or other intellectual property of the third party, or a license from TI under the patents or other intellectual property of TI.

Reproduction of TI information in TI data books or data sheets is permissible only if reproduction is without alteration and is accompanied by all associated warranties, conditions, limitations, and notices. Reproduction of this information with alteration is an unfair and deceptive business practice. TI is not responsible or liable for such altered documentation. Information of third parties may be subject to additional restrictions.

Resale of TI products or services with statements different from or beyond the parameters stated by TI for that product or service voids all express and any implied warranties for the associated TI product or service and is an unfair and deceptive business practice. TI is not responsible or liable for any such statements.

TI products are not authorized for use in safety-critical applications (such as life support) where a failure of the TI product would reasonably be expected to cause severe personal injury or death, unless officers of the parties have executed an agreement specifically governing such use. Buyers represent that they have all necessary expertise in the safety and regulatory ramifications of their applications, and acknowledge and agree that they are solely responsible for all legal, regulatory and safety-related requirements concerning their products and any use of TI products in such safety-critical applications, notwithstanding any applications-related information or support that may be provided by TI. Further, Buyers must fully indemnify TI and its representatives against any damages arising out of the use of TI products in such safety-critical applications.

TI products are neither designed nor intended for use in military/aerospace applications or environments unless the TI products are specifically designated by TI as military-grade or "enhanced plastic." Only products designated by TI as military-grade meet military specifications. Buyers acknowledge and agree that any such use of TI products which TI has not designated as military-grade is solely at the Buyer's risk, and that they are solely responsible for compliance with all legal and regulatory requirements in connection with such use.

TI products are neither designed nor intended for use in automotive applications or environments unless the specific TI products are designated by TI as compliant with ISO/TS 16949 requirements. Buyers acknowledge and agree that, if they use any non-designated products in automotive applications, TI will not be responsible for any failure to meet such requirements.

Following are URLs where you can obtain information on other Texas Instruments products and application solutions:

### Products

Audio	<a href="http://www.ti.com/audio">www.ti.com/audio</a>
Amplifiers	<a href="http://amplifier.ti.com">amplifier.ti.com</a>
Data Converters	<a href="http://dataconverter.ti.com">dataconverter.ti.com</a>
DLP® Products	<a href="http://www.dlp.com">www.dlp.com</a>
DSP	<a href="http://dsp.ti.com">dsp.ti.com</a>
Clocks and Timers	<a href="http://www.ti.com/clocks">www.ti.com/clocks</a>
Interface	<a href="http://interface.ti.com">interface.ti.com</a>
Logic	<a href="http://logic.ti.com">logic.ti.com</a>
Power Mgmt	<a href="http://power.ti.com">power.ti.com</a>
Microcontrollers	<a href="http://microcontroller.ti.com">microcontroller.ti.com</a>
RFID	<a href="http://www.ti-rfid.com">www.ti-rfid.com</a>
OMAP Mobile Processors	<a href="http://www.ti.com/omap">www.ti.com/omap</a>
Wireless Connectivity	<a href="http://www.ti.com/wirelessconnectivity">www.ti.com/wirelessconnectivity</a>

### Applications

Communications and Telecom	<a href="http://www.ti.com/communications">www.ti.com/communications</a>
Computers and Peripherals	<a href="http://www.ti.com/computers">www.ti.com/computers</a>
Consumer Electronics	<a href="http://www.ti.com/consumer-apps">www.ti.com/consumer-apps</a>
Energy and Lighting	<a href="http://www.ti.com/energy">www.ti.com/energy</a>
Industrial	<a href="http://www.ti.com/industrial">www.ti.com/industrial</a>
Medical	<a href="http://www.ti.com/medical">www.ti.com/medical</a>
Security	<a href="http://www.ti.com/security">www.ti.com/security</a>
Space, Avionics and Defense	<a href="http://www.ti.com/space-avionics-defense">www.ti.com/space-avionics-defense</a>
Transportation and Automotive	<a href="http://www.ti.com/automotive">www.ti.com/automotive</a>
Video and Imaging	<a href="http://www.ti.com/video">www.ti.com/video</a>

TI E2E Community Home Page

[e2e.ti.com](http://e2e.ti.com)

Mailing Address: Texas Instruments, Post Office Box 655303, Dallas, Texas 75265  
Copyright © 2011, Texas Instruments Incorporated